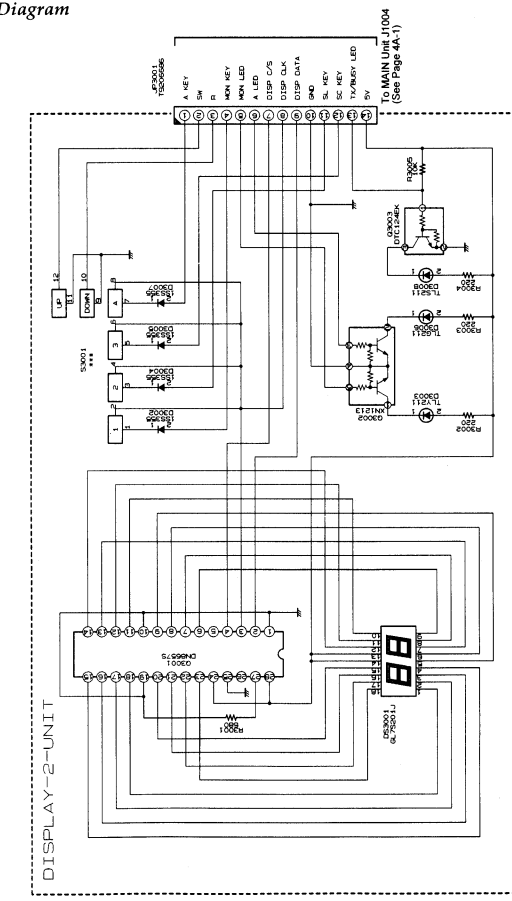
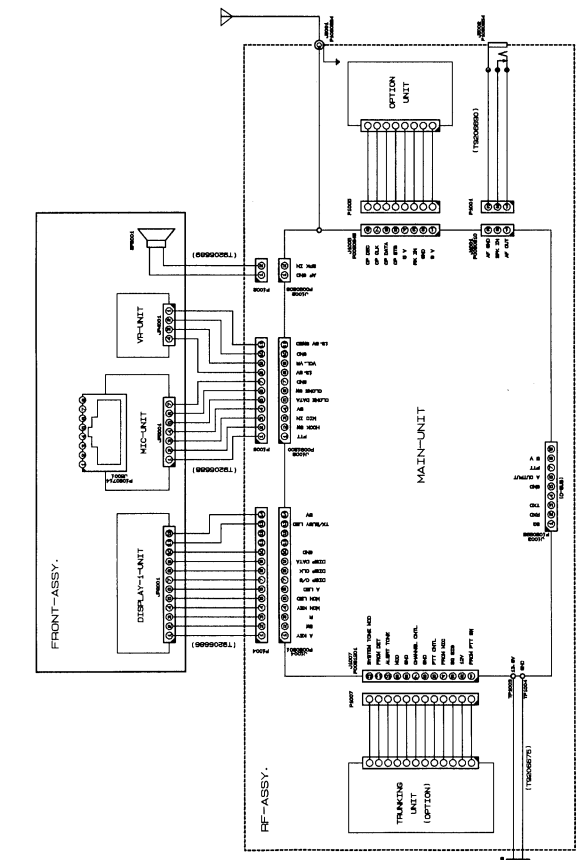


XX RX 160.025MHz, wide, Inject +30dBμ at ±3.0kHz deviation
 (XX) TX 160.025MHz, Hi power, Inject -43.5dBm at 1kHz tone

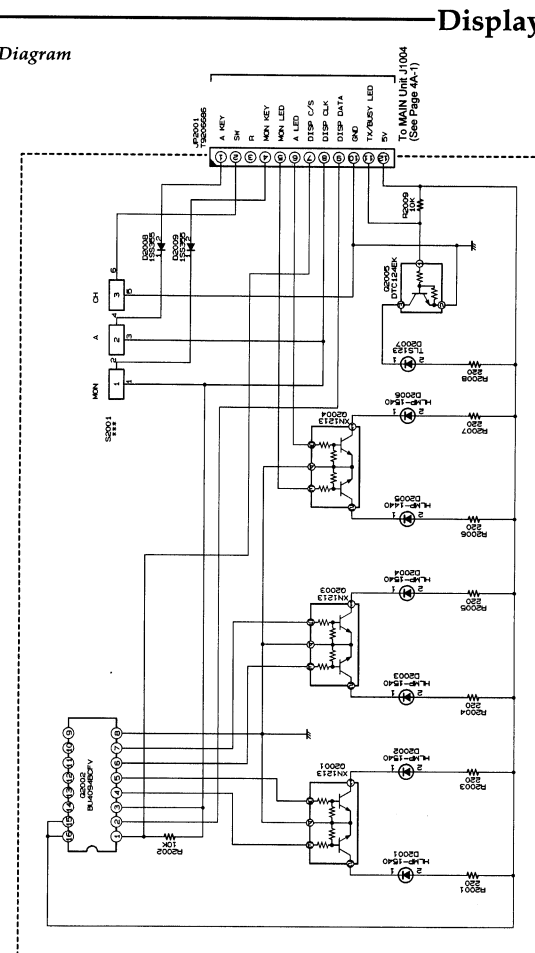
Circuit Diagram



VX-2000V 4ch Front Interconnection Diagram



Circuit Diagram



Display-1 Unit Interconnection Diagram

VX-2000V 40ch Front Interconnection Diagram

